

Lyra

60/80

kW-DC

Fast Charging

*Simultaneous
charging*





01

EV Fast charging points

Intro

The Lyra 60 EV charger, manufactured by Flood in Barcelona, is a high-power charging unit with compact dimensions of 588 x 255 x 1124(h) mm and a weight of 120 kg. With a power output of 60kW or 80kW, this charger offers simultaneous charging capacity for two vehicles in direct current (DC), making it a versatile solution for installation in a variety of environments, such as companies, petrol stations, public plazas, and transport fleets.

60/80 kW - DC



- Perfect fit*
- Street parkings
 - Public parking operators
 - Mid-size filling stations
 - Transport fleets

 <p>High Power</p>	 <p>Simultaneous charging for two vehicles</p>	 <p>User authentication</p>	 <p>LCD Display 12,1"</p>
 <p>OCPP Compliant</p>	 <p>Autocharge</p>	 <p>IP54</p>	 <p>All-in-one solution</p>



02

General Specifications

POWER SPECIFICATIONS

AC Input

Input voltage	3Φ 380~415 Vac (±15%)
AC Input connection	3P+N+PE, TN/TT/IT
Maximum input current	115A (60kW) - 155A (80kW)
Frequency	50 Hz/60 Hz
Power factor	>0.99
Efficiency	>94%, optimum point V/I
DC Output voltage range	CCS2: 155~950 Vdc / 200A (60kW) - 250A (80kW) max
Maximum output power	60 kW /80 kW
Voltage accuracy	±2%
Current accuracy	±2%

Output

USER & CONTROL INTERFACE

Display	Touch panel 12.1"
User authentication	OCPP 1.6 JSON (coming soon OCPP 2.0.1) <i>Optional:</i> RFID > supports ISO 14443A/B, ISO 15693, FeliCa Lite-S (RCS966) VISA payment

COMMUNICATIONS

External	Ethernet & 3G/4G (Wi-Fi optional)
Internal	CAN bus/RS485

ENVIRONMENT

Operating temperature	-30°C~50°C (optional extended temperature range)
Maximum relative humidity	5%~95% RH, non-condensed
Altitude	≤ 2000 m
IP/IK Level	IP54/IK10
Cooling	Forced air

MECHANICS

Size	585 x 290 x 1250 mm
Weight	≤ 120-130 kg
Hose length	3 m (other lengths are optionally available)

PACKAGING

Gross weight	≤ 200-210 kg
Wooden box size	1140 x 980 x 2070 mm

PROTECTIONS

Input protections	OVP, OCP, OPP, OTP, UVP, RCD, SPD
Output protections	OCP, SCP, OVP, LVP, OTP, IMD

STANDARDS & CERTIFICATIONS

Certifications	IEC 61851-1, IEC 61851-23, IEC 61851-21-2 (Eichrechtskonform optional)
Security	CB, CE
Charging interface	CCS2, DIN 70121, ISO15118

03

Dimensions

Dimensions

mm

Fig 01

A/ Front + Stand

B/ Right side + Stand

C/ Front

D/ Right side

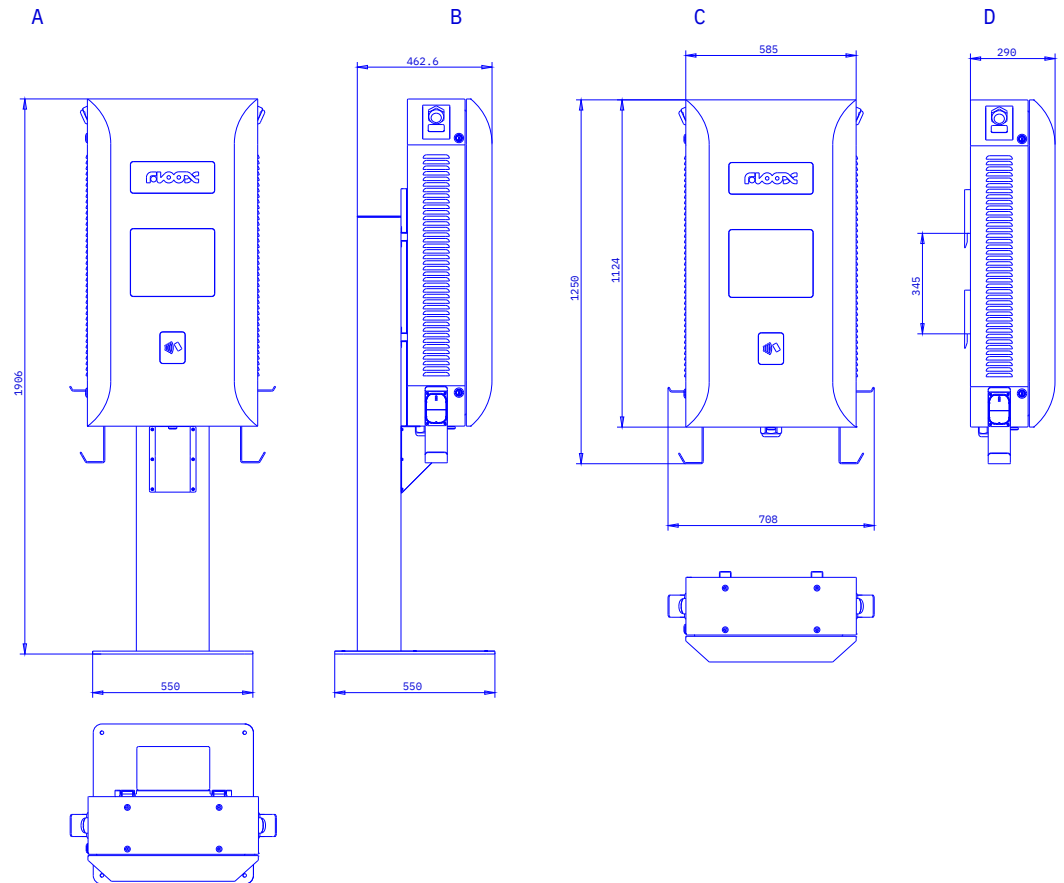


Fig 02 / Top

04

Product reference

Reference	Description
LYRA0600000000510015	LYRYA 60kW - 2x CCS2 150A (Standard)
LYRA0800000000510015	LYRYA 80kW - 2x CCS2 150A (Standard)
7000019101	Stand Alone (optional)