

Superflood

60 kW-DC

+22 kW-AC
optional

*Superfast
Charging
Points*

*Simultaneous
triple
charging*





01

Superfast charging points

Intro

Fast, high-powered, optimized space, and easy to install, this is the electric charger of the future. The **SuperflooX** has **simultaneous charging capacity for two vehicles in DC and a third vehicle in AC (optional)**. Its reduced space makes it ideal to be installed in public parking as well as in filling stations that need a fast charging point with limited impact on their electrical power consumption.

60 kW - DC



Perfect fit for

Street parkings

Public parking operators

Mid-size filling stations

Transport fleets



High
power



Simultaneous
charging for two
vehicles



User
authentication



Display
LCD 7"



OCPP
Compliant



Autocharge



IP55



All-in-one
solution



02

General Specifications

POWER SPECIFICATIONS

AC Input

Input voltage	3Φ 380~415 Vac (±15%)
AC Input connection	3P+N+PE, TN/TT/IT
Maximum input current	DC System: 3Φ 115 A AC AC System: 3Φ 32 A AC
Frequency	50 Hz/60 Hz
Power factor	>0.99
Efficiency	>94%, at V/I optimum point
DC Output voltage range	• CCS2: 150~950 Vdc / 150A max. • CHAdeMO: 150~500 Vdc / 120A max.
AC Output voltage range	• Type 2: 3Φ 380~415Vac / 32 A max.(optional)
Maximum output power	DC System:60 kW AC System:22 kW
Voltage accuracy	±2%
Current accuracy	±2%

USER & CONTROL INTERFACE

Output

Display	TFT-LCD 7"
Switch panel	Operating button / Emergency stop
User authentication	RFID: supports ISO 14443A/B, ISO 15693, FeliCa Lite-S (RCS966) OCPP 1.6 JSON (coming soon OCPP 2.0.1)

COMMUNICATIONS

External	Ethernet, Wi-Fi and 4G
Internal	CAN bus/RS485

ENVIRONMENT

Operating temperature	-30°C~50°C, derating from 50°C
Maximum relative humidity	5%~95% RH, non-condensed
Altitude	≤ 2000 m
IP/IK Level	IP55/IK10
Cooling	Forced air

MECHANICS

Size	700 x 331 x 1800 mm ±1%
Weight	≤ 235 kg ±1%
Hose length	4 m

PACKAGING

Gross weight	335 kg
Wooden box size	1140 x 980 x 2070 mm

PROTECTIONS

Input protections	OVP, OCP, OPP, OTP, UVP, RCD, SPD
Output protections	OCP, SCP, OVP, LVP, OTP, IMD

STANDARDS & CERTIFICATIONS

Certifications	IEC 61851-1, IEC 61851-23, IEC 61851-21-2
Security	CB, CE
Charging interface	CHAdeMO V1.2, DIN 70121, ISO15118

03

Dimensions

Dimensions

mm

Fig 01 / Top

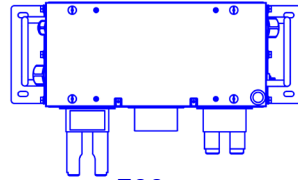


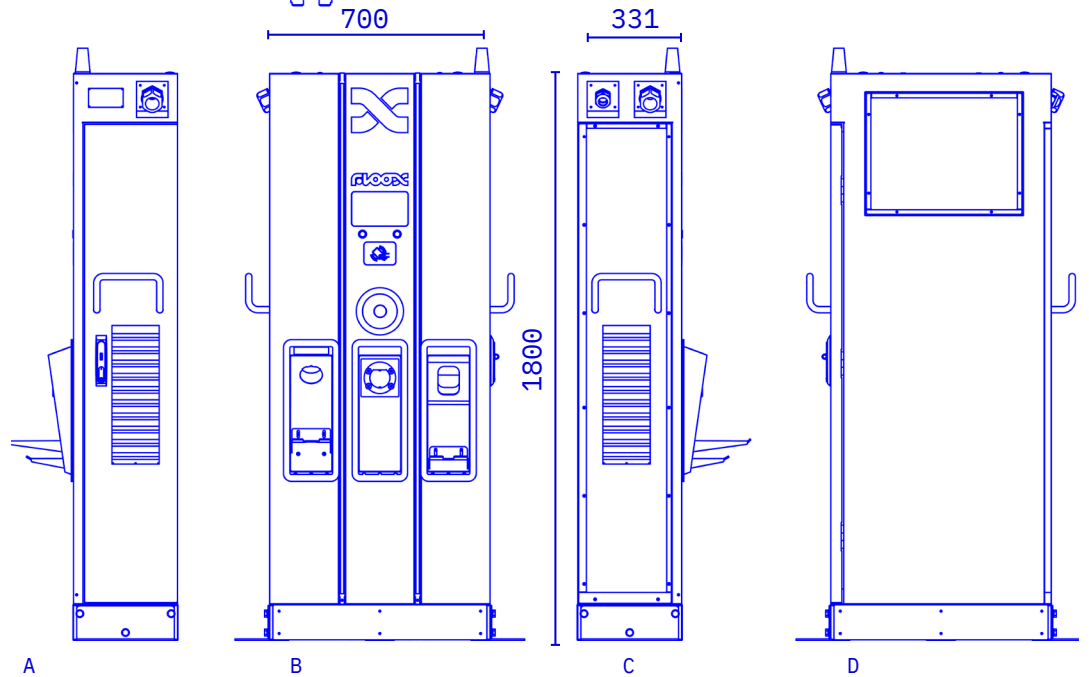
Fig 02

A/ LEFT side

B/ Front

C/ RIGHT side

D/ Back



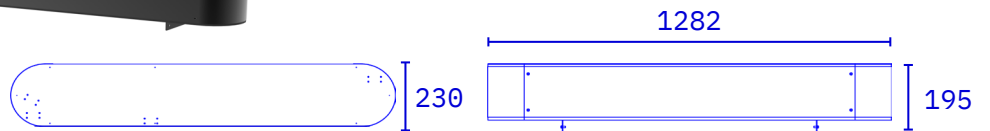
04

Accessories

Cable Management System

Dimensions

mm



05

Product references

Reference	Description
DSYE601Z0ZD2FL	Superflood 60kW DC, 2 x CCS2 150A
DSYE601J0ZD2FL	Superflood 60kW DC, CCS2 150A + CHAdEMO 120A
DSYE601E3ED2FL	Superflood 60kW DC + 22kW AC, 2 x CCS2 120A + AC Type2
DSYE601J3ED2FL	Superflood 60kW DC + 22kW AC, CCS2 120A + CHAdEMO 120A + AC Type2
KITCSDSFL03	Superflood Series Cable Management System